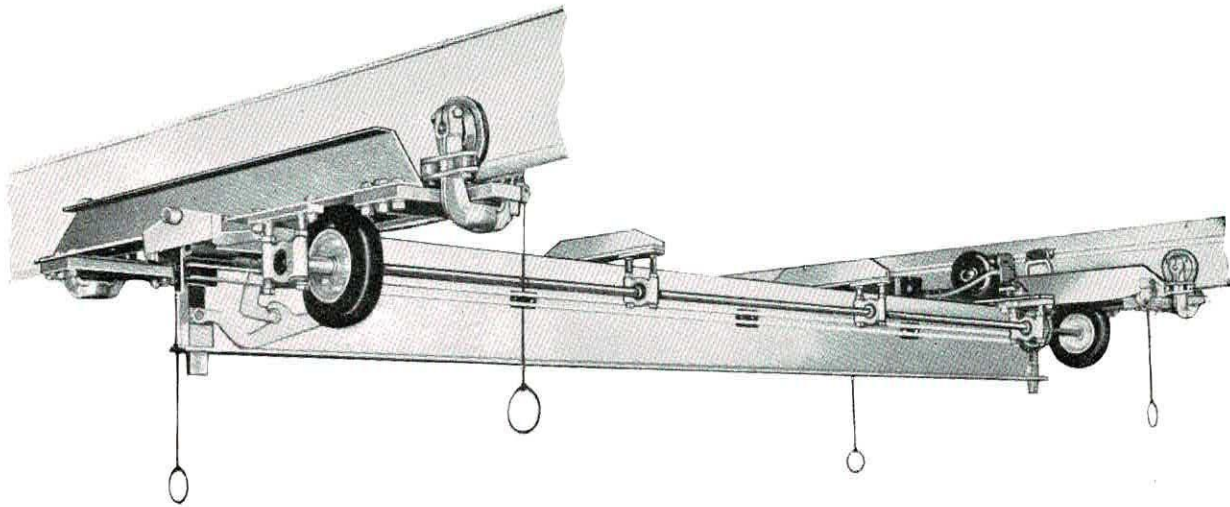


RailMaster Three-Ton Mono Tractor Crane



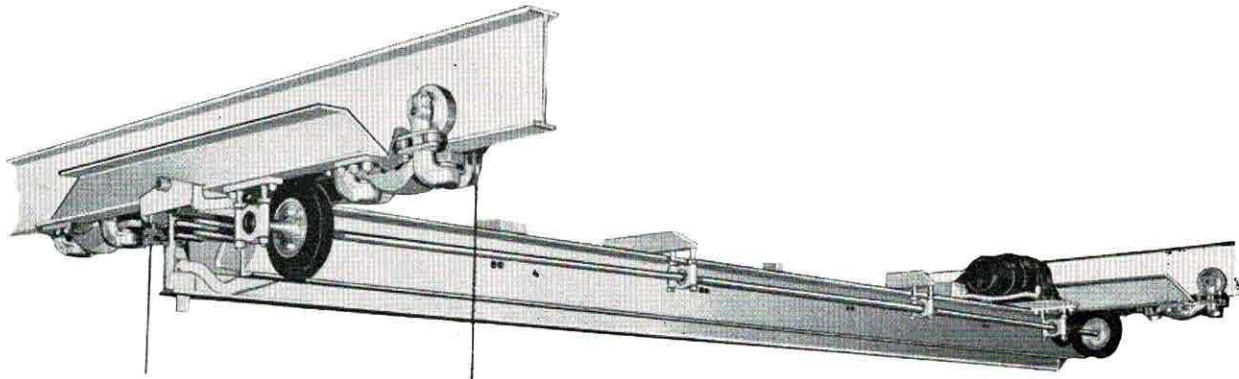
Power operation is brought to these 3-ton RailMaster Cranes by application of the MonoTractor Drive.

Standard push-button stations furnish finger-tip control for all movement of crane or power operated hoist carrier. Location of control can be fixed with crane bridge or movable with carrier.

Power operation makes available long-span, multiple-truck crane applications with cab or floor control and with interlocking features for travel between and beyond the craneways.

Certain types of control require additional conductors so that thorough study should be given, particularly where interlocking movement extends through track switches.

RailMaster Five-Ton MonoTractor Crane



With its greatly simplified structural parts, this RailMaster Crane of 5-ton capacity has remarkably low dead weight but at the same time maintains an ample margin of safety for carrying its capacity load.

Compact design permits application under low headroom conditions while interlocking features allow flexible hoist hook coverage over maximum craneway areas as well as through RailMaster Track systems branching to areas beyond the reach of the crane itself.

Drawing overleaf gives complete dimensional data.

All the advantages of MonoTractor drive apply equally to this 5-ton Crane. Fluid drive for floor or cab control is particularly recommended so that smooth acceleration as well as low maintenance is assured.

Special provision must be made to accommodate control requiring more than four conductors.